



# HENHOUSE CONSTRUCTION

4 feet x 6 feet x 4 feet  
Holds 12 – 15 chickens

---

## Bill of Materials

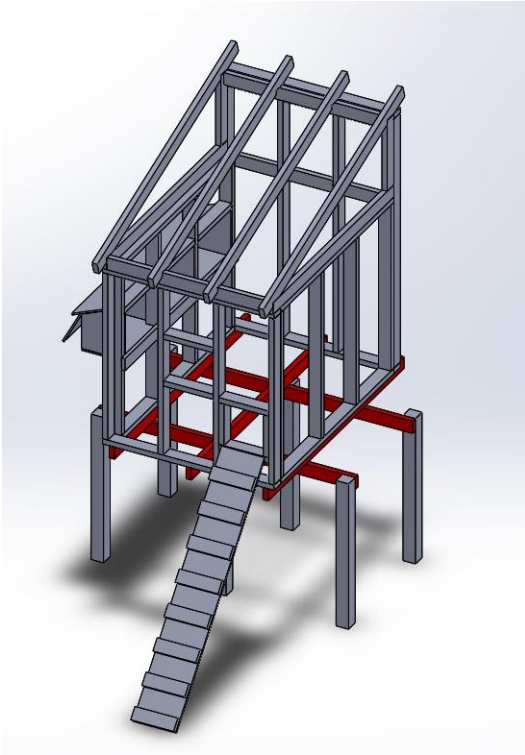
This is the list of materials to construct the Hen House completely. All quantities are exact amounts, it is highly recommended to buy excess in case of mistakes.

- 28 – 2x4x8 (Recommended 32) - \$3.47 each
  - [http://www.lowes.com/pd\\_489062-1242-11629\\_\\_?productId=50277301&pl=1&Ntt=2x4x8](http://www.lowes.com/pd_489062-1242-11629__?productId=50277301&pl=1&Ntt=2x4x8)
- 5 – 4ft x 8ft 19/32 in plywood (Recommended 6) – \$18.77 each
  - [http://www.lowes.com/pd\\_12242-99899-NA\\_1z10t8c\\_\\_?productId=3602886&pl=1](http://www.lowes.com/pd_12242-99899-NA_1z10t8c__?productId=3602886&pl=1)
- 3 – 2x4x8 - \$11.37 each
  - [http://www.lowes.com/pd\\_444956-152-404082CA4\\_\\_?productId=4402717&pl=1&Ntt=4x4](http://www.lowes.com/pd_444956-152-404082CA4__?productId=4402717&pl=1&Ntt=4x4)
- 5 pound box of 2 inch galvanized nails - \$15.93
  - [http://www.lowes.com/pd\\_69271-1278-6HGBX5\\_1z0yk4dZ2z8vl\\_\\_?productId=3410870&pl=1](http://www.lowes.com/pd_69271-1278-6HGBX5_1z0yk4dZ2z8vl__?productId=3410870&pl=1)
- 5 pound box of 3 inch galvanized nails - \$15.93
  - [http://www.lowes.com/pd\\_69932-1278-10HGBX5\\_1z0yk4dZ2z8vl\\_\\_?productId=3059291&pl=1](http://www.lowes.com/pd_69932-1278-10HGBX5_1z0yk4dZ2z8vl__?productId=3059291&pl=1)
- 2 - Union Corrugating 2.33-ft x 8-ft Corrugated Steel Roof Panel - \$9.98 each
  - [http://www.lowes.com/pd\\_12473-18591-250OVALECO800\\_1z13cgm\\_\\_?productId=3317582&pl=1](http://www.lowes.com/pd_12473-18591-250OVALECO800_1z13cgm__?productId=3317582&pl=1)
- 1 - Blue Hawk 24-in x 25-ft Silver Galvanized Steel Poultry Netting - \$10.38
  - [http://www.lowes.com/pd\\_492405-16418-840222\\_\\_?productId=4780955&Ns=p\\_product\\_price|0&pl=1&Ntt=chicken+wire](http://www.lowes.com/pd_492405-16418-840222__?productId=4780955&Ns=p_product_price|0&pl=1&Ntt=chicken+wire)

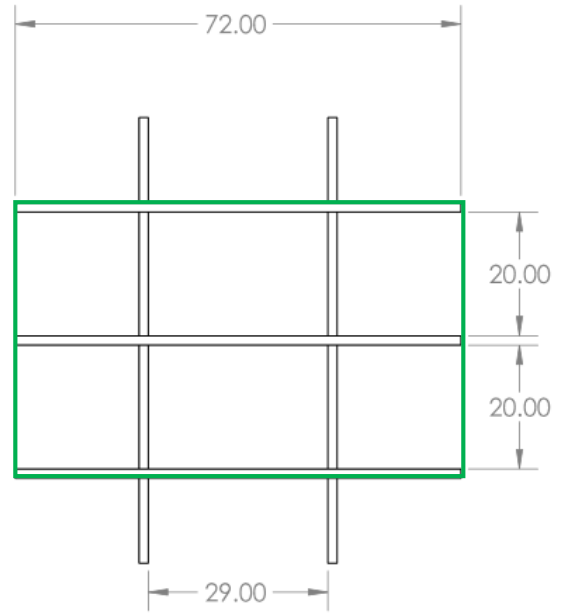
TOTAL COST WITH EXCESS: \$301.20

TOTAL COST WITHOUT EXCESS: \$268.55

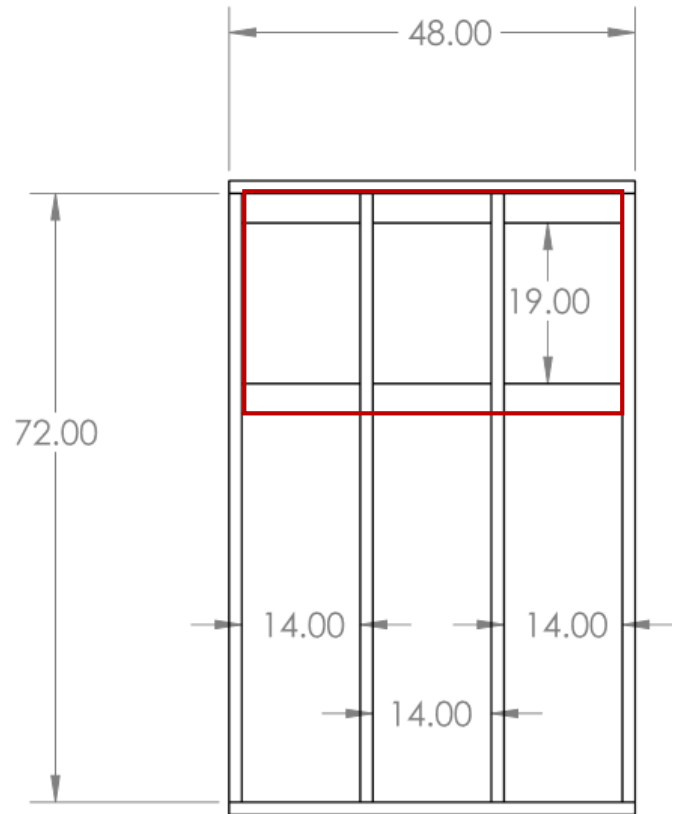
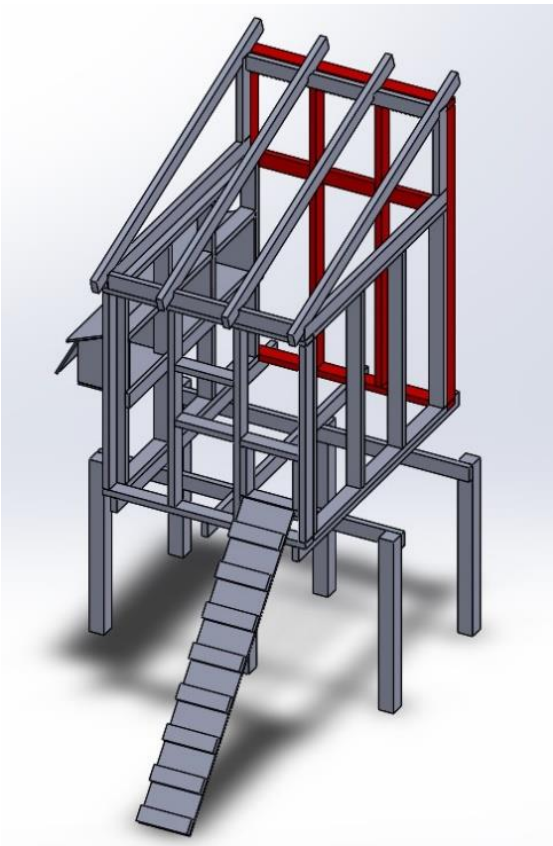
**Base: 5 – 8 foot 2x4's and two 72 inch lengths of chicken wire**



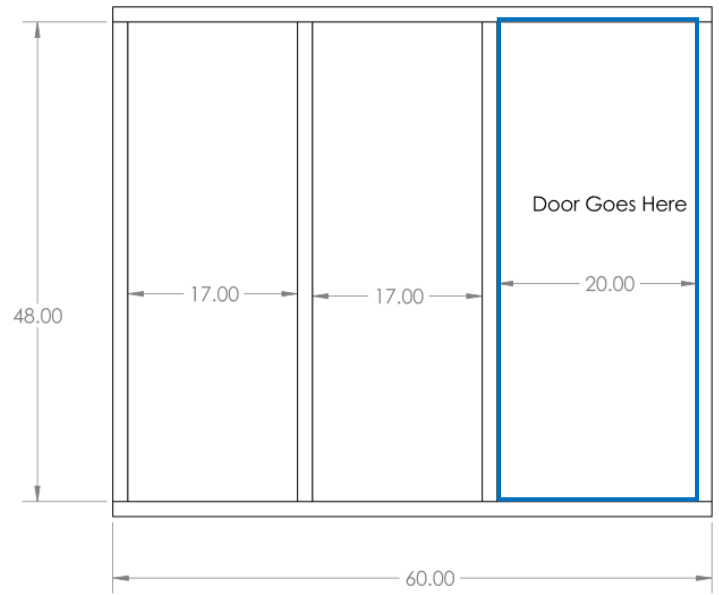
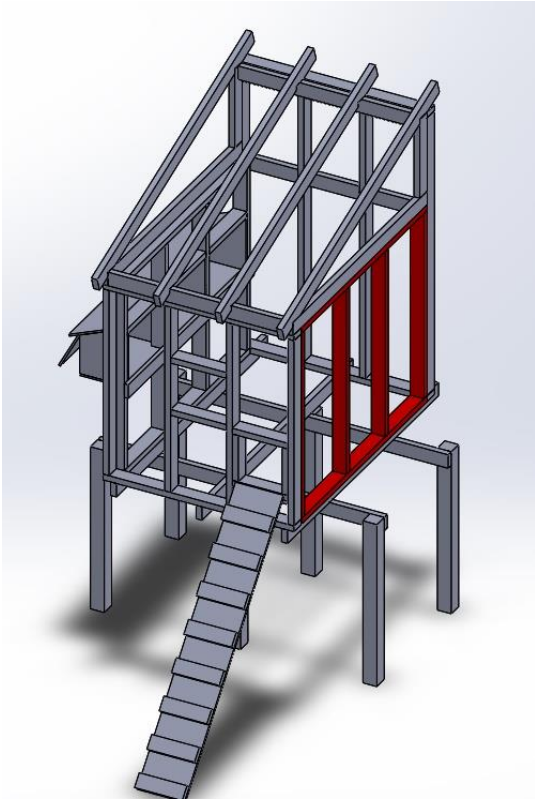
Green boxes: Open area covered by wire  
Red boxes: Window area covered by wire  
Blue boxes: Doors



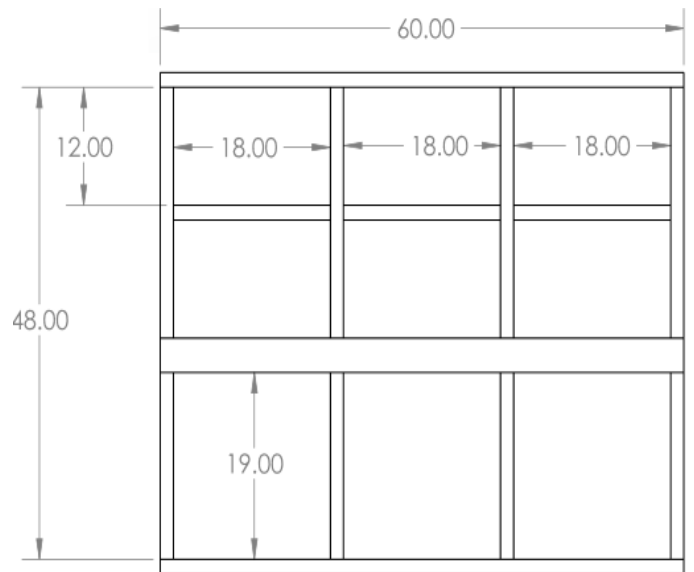
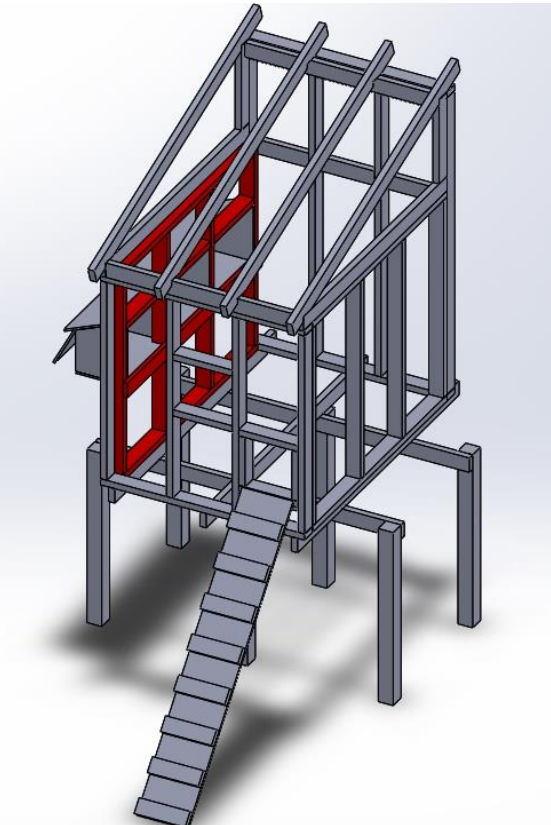
**Back Wall: 3 – 8 foot 2x4's and one 45 length of chicken wire**



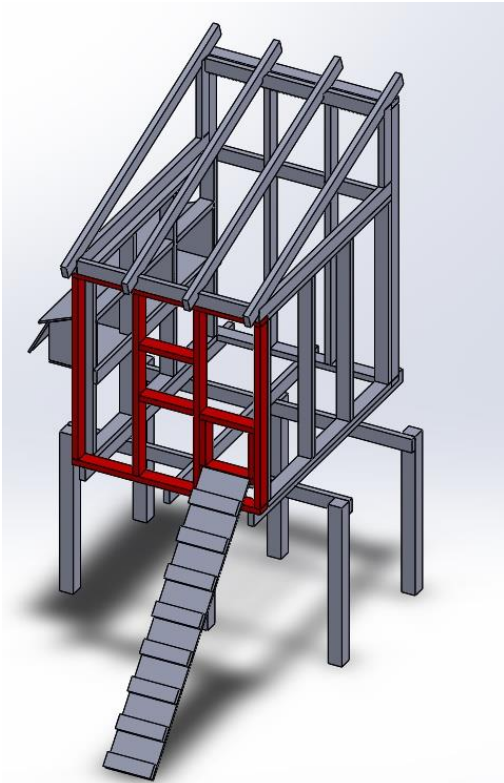
**Right Wall: 4 – 8 foot 2x4's required**



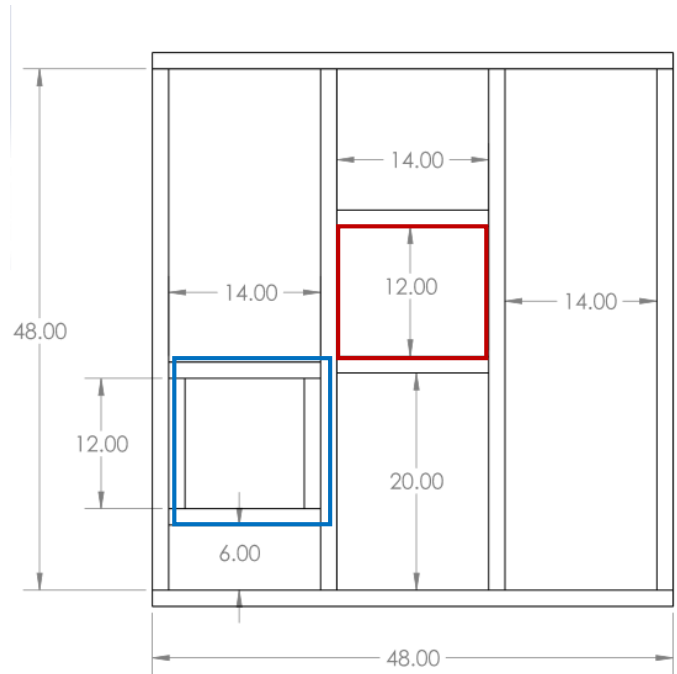
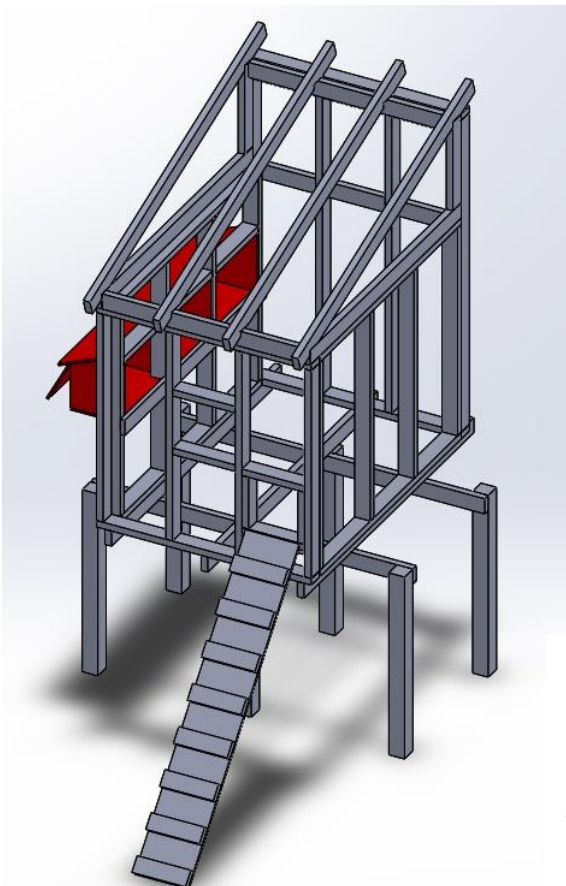
**Left Wall: 4 – 8 foot 2x4's and 1 – 60 inch 1x4 required**



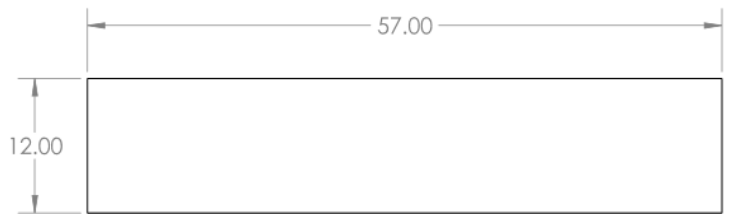
**Front Wall:- 4 – 8 foot 2x4's required**



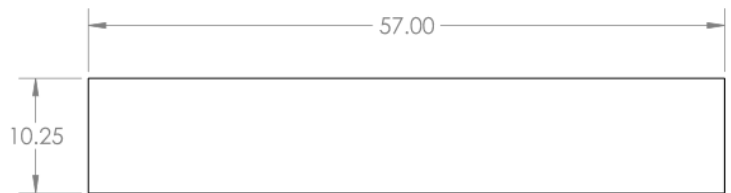
**Nesting Boxes: 1 sheet 4ft x 8ft plywood required**



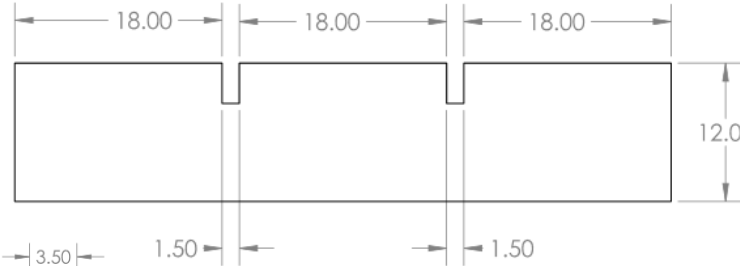
**Nesting Box Top**



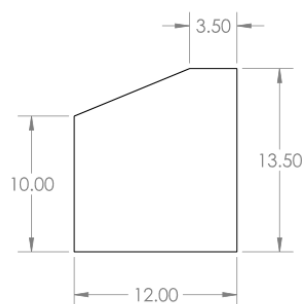
**Nesting Box Door**



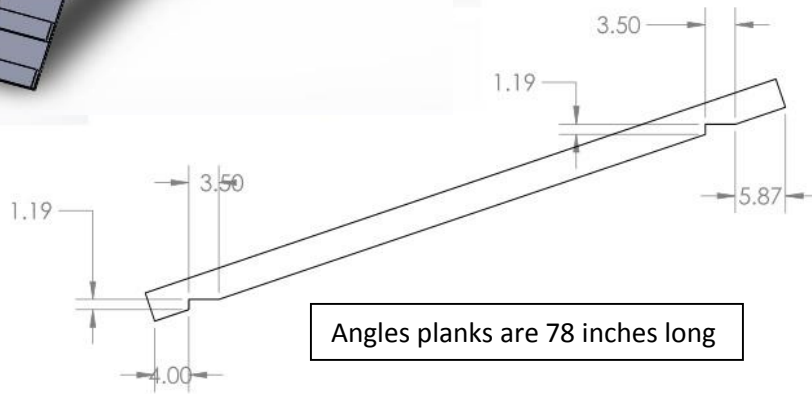
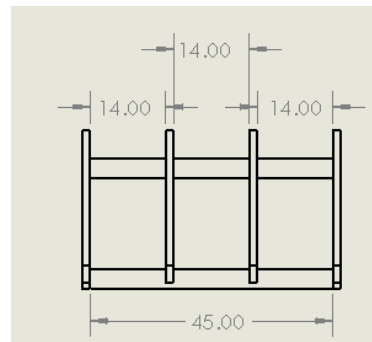
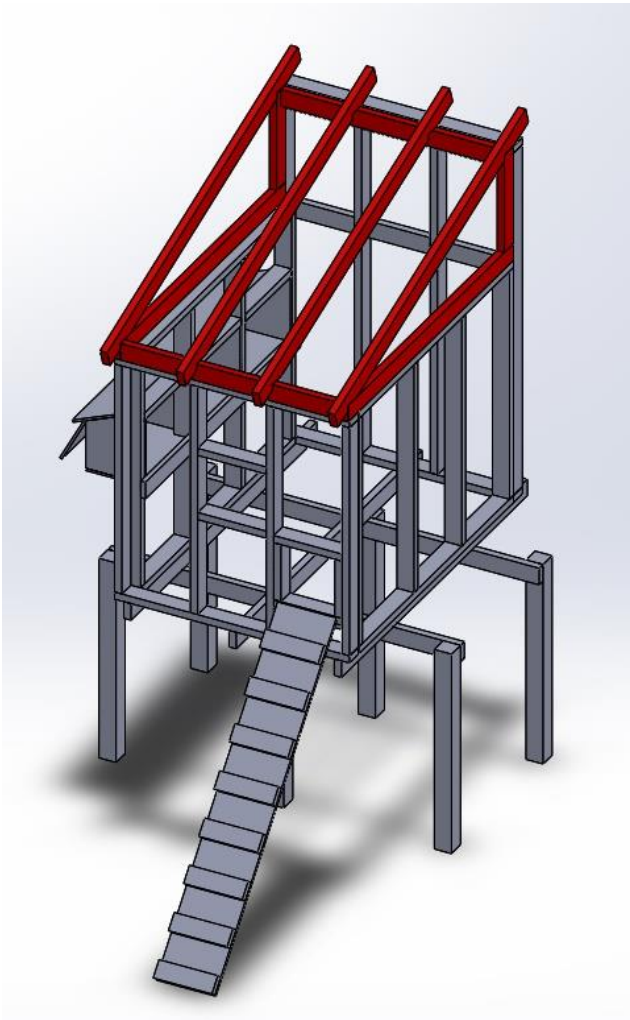
**Nesting Box Bottom**



**Nesting Box Side Panel**



Top: 7 – 8 foot 2x4's required



Angles planks are 78 inches long

